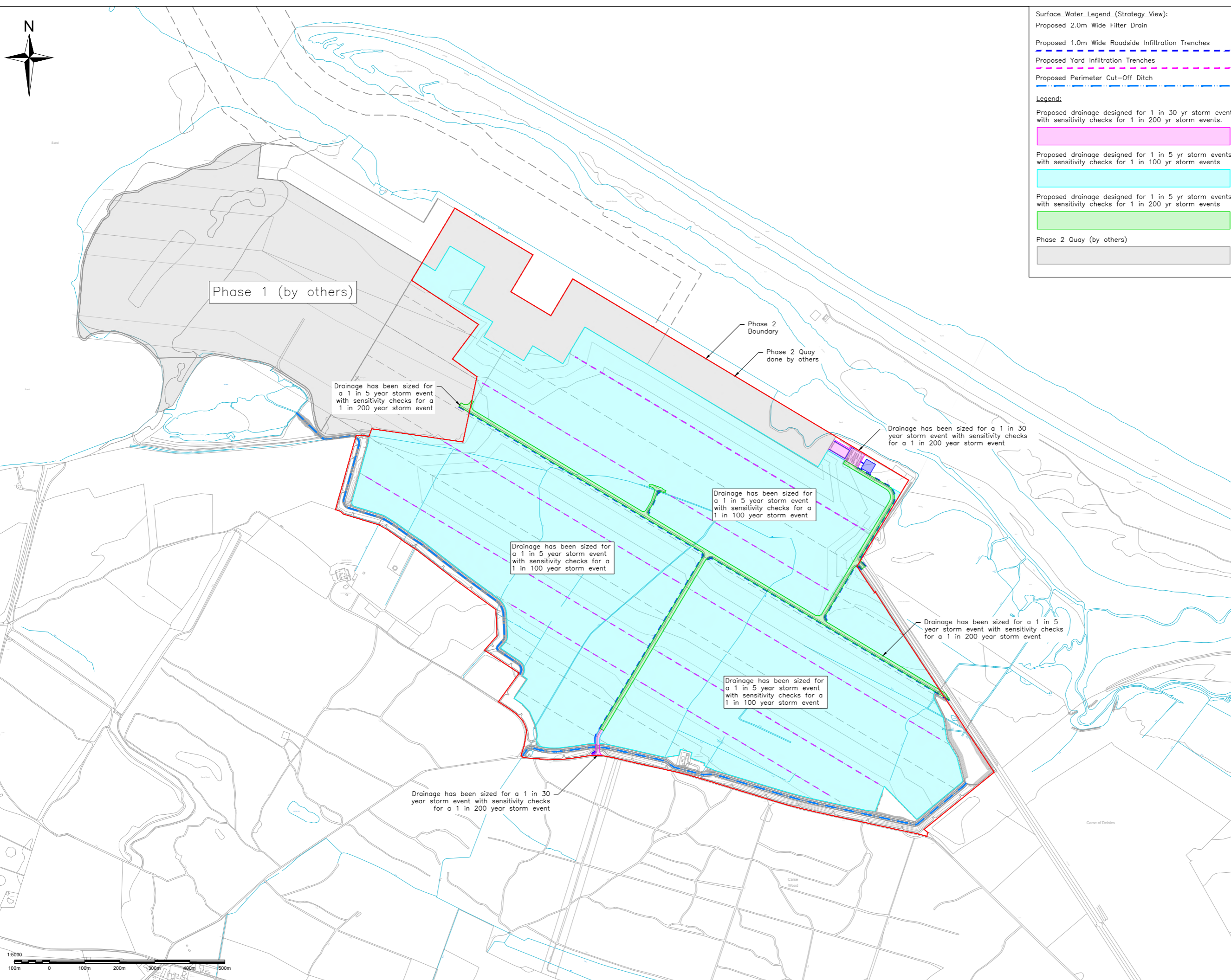


APPENDIX B – Drainage Design Areas



Surface Water Legend (Strategy View):

Proposed 2.0m Wide Filter Drain
 Proposed 1.0m Wide Roadside Infiltration Trenches
 Proposed Yard Infiltration Trenches
 Proposed Perimeter Cut-Off Ditch

Legend:

Proposed drainage designed for 1 in 30 yr storm events with sensitivity checks for 1 in 200 yr storm events.

Proposed drainage designed for 1 in 5 yr storm events with sensitivity checks for 1 in 100 yr storm events

Proposed drainage designed for 1 in 5 yr storm events with sensitivity checks for 1 in 200 yr storm events

Phase 2 Quay (by others)

Do not scale from this drawing.

SAFETY HEALTH AND ENVIRONMENTAL INFORMATION

IN ADDITION TO THE HAZARD/RISKS NORMALLY ASSOCIATED WITH THE TYPES OF WORK DETAILED ON THIS DRAWING, NOTE THE FOLLOWING RISKS AND INFORMATION.

RISKS LISTED HERE ARE NOT EXHAUSTIVE. REFER TO DESIGN ASSESSMENT FORM APP2-FHT-XX-YAR-HS-C-000001

CONSTRUCTION:
 SEWAGE
 EXCAVATIONS
 SOIL CONTAMINATION
 EXISTING SERVICES

DEMOLITION:
 NONE THAT WOULD NOT BE APPARENT TO A COMPETENT CONTRACTOR

FOR INFORMATION RELATING TO USE, CLEANING AND MAINTENANCE SEE THE HEALTH AND SAFETY FILE.

IT IS ASSUMED THAT ALL WORKS WILL BE CARRIED OUT BY A COMPETENT CONTRACTOR WORKING, WHERE APPROPRIATE, TO AN APPROVED METHOD STATEMENT.

- Notes:**
- All dimensions on this drawing are in metres unless noted otherwise. Do not scale from this drawing, only written dimensions are to be used. All levels and coordinates are given to Chart Datum (OS-2.14m).
 - This drawing is to be read in conjunction with all architectural and engineering drawings, details and specifications. Refer to drawing APP2-FHT-DR-YAR-DR-C-002001 for Surface Water Drainage General Arrangement.
 - Any discrepancies should be reported to the engineer immediately so clarification can be sought.
 - For clarity this drawing should only be printed and read in colour.
 - All sewers to be constructed in accordance with the Specification for Highway Works
 - Curtilage drainage to be constructed, installed & tested in accordance with the recommendations in BS EN 752:2018, BS EN 1610:2015, BS 6297:2007, BS EN 12056-1:2000, 'The SUDS Manual - Ciria C753' and C.A.R GBR10B.
 - A minimum of 1500mm cover to be provided to all pipework unless otherwise stated. Sewers with cover less than these values are to be provided with concrete protection. Refer to detail.
 - All inspection chambers in trafficked areas to be fitted with F900 covers. All covers to be manufactured to BS EN 124:2015
 - All existing services to be located prior to any construction work being carried out. Underground services must be located in accordance with Health and Safety Executive Guidance note HSG 47.

01	18/07/25	Details on storm event simulations and sensitivity checks updated. Minor drawing alterations for clarity.	HF	AH	AKF
Rev.	Date	Description	Drawn	Chkd.	Appd.

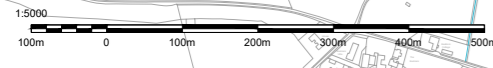
FAIRHURST Client

Barony House
 Stoneyfield Business Park
 INVERNESS
 IV2 7PA
 Tel: 01463 724 544

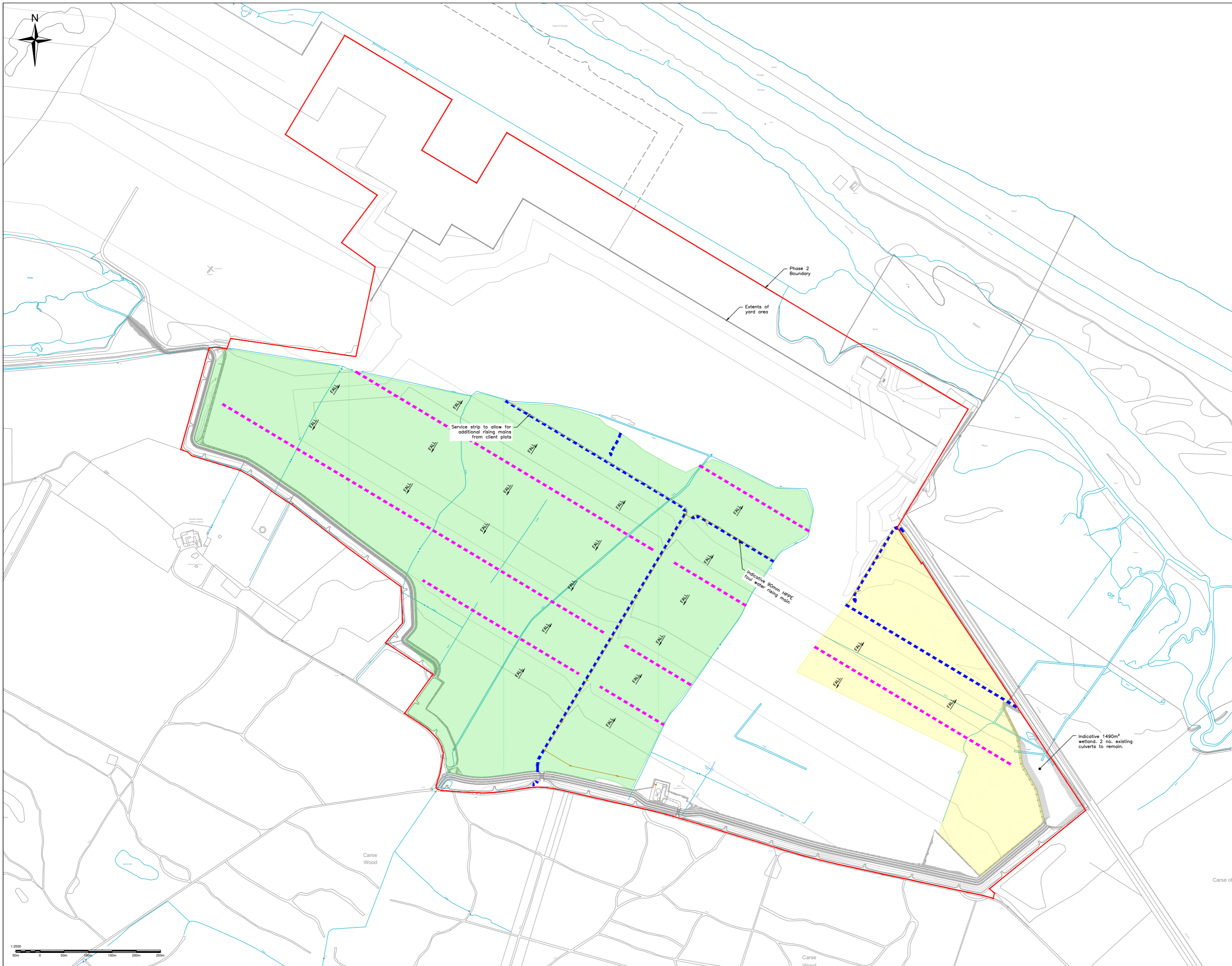
Project Title:
Ardersier Port Redevelopment Phase 2

Drawing Title:
Yard Area Drainage Design Areas

Scale at A1: 1:5000	Status: Information	Approved: AKF
Drawn: GM	Checked: AH	Date: 10/06/2025
Date: 10/06/2025	Date: 10/06/2025	Date: 10/06/2025
Drawing No: APP2-FHT-RD-YAR-DR-C-002052	Revision: 01	



APPENDIX C – Drainage Layout and Typical Details



Do not scale from this drawing.

SAFETY HEALTH AND ENVIRONMENTAL INFORMATION

IN ADDITION TO THE HAZARD/RISKS NORMALLY ASSOCIATED WITH THE TYPES OF WORK DETAILED ON THIS DRAWING, NOTE THE FOLLOWING RISKS AND INFORMATION.

RISKS LISTED HERE ARE NOT EXHAUSTIVE. REFER TO DESIGN ASSESSMENT FORM APP2-FHT-XX-YAR-HS-C-000001

CONSTRUCTION:
 EXCAVATIONS
 SOIL CONTAMINATION
 EXISTING SERVICES

DEMOLITION:
 NONE THAT WOULD NOT BE APPARENT TO A COMPETENT CONTRACTOR

FOR INFORMATION RELATING TO USE, CLEANING AND MAINTENANCE SEE THE HEALTH AND SAFETY FILE.

IT IS ASSUMED THAT ALL WORKS WILL BE CARRIED OUT BY A COMPETENT CONTRACTOR WORKING, WHERE APPROPRIATE, TO AN APPROVED METHOD STATEMENT.

Notes:

- All dimensions on this drawing are in metres unless noted otherwise. Do not scale from this drawing, only written dimensions are to be used. All levels and coordinates are given to Chart Datum (OS-2.14m)
- This drawing is to be read in conjunction with all architectural and engineering drawings, details and specifications. Refer to drawing APP2-FHT-DR-YAR-DR-C-002001 for Yard Area Surface Water Drainage Layout Plan and drawing APP2-FHT-DR-YAR-DR-C-002100 for Yard Area Foul Drainage Layout Plan.
- Any discrepancies should be reported to the engineer immediately so clarification can be sought.
- For clarity this drawing should only be printed and read in colour.
- All sewers to be constructed in accordance with the Specification for Highway Works
- Curtilage drainage to be constructed, installed & tested in accordance with the recommendations in BS EN 752:2018, BS EN 1610:2015, BS 6297:2007, BS EN12056-1:2000, 'The SUDS Manual - Ciria C753' and C.A.R GBR10B.
- A minimum of 1500mm cover to be provided to all pipework unless otherwise stated. Sewers with cover less than these values are to be provided with concrete protection. Refer to detail.
- All inspection chambers in trafficked areas to be fitted with F90 covers. All covers to be manufactured to BS EN 124:2015
- All existing services to be located prior to any construction work being carried out. Underground services must be located in accordance with Health and Safety Executive Guidance note HSG 47.

Legend:

- Gorse Area to be upfilled with porous paving
- Wooded Area to be upfilled with porous paving
- Roadside Infiltration Trench
- Yard Infiltration Trench

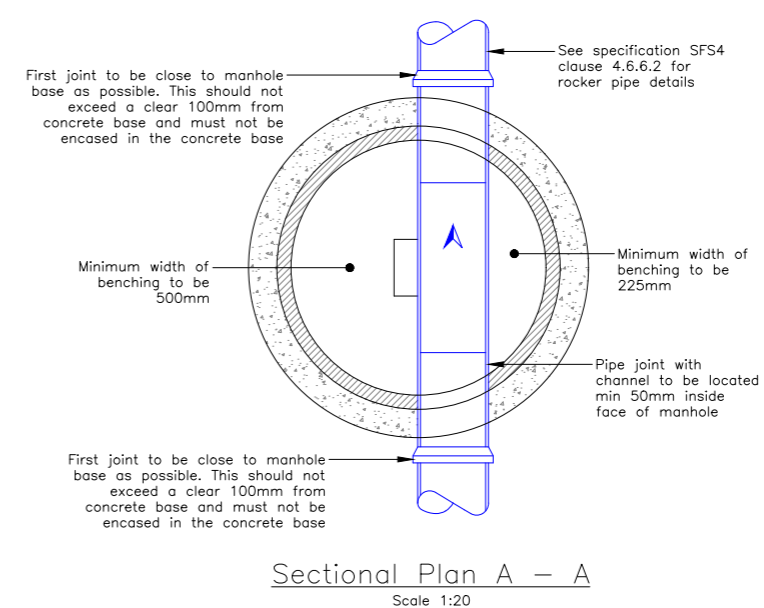
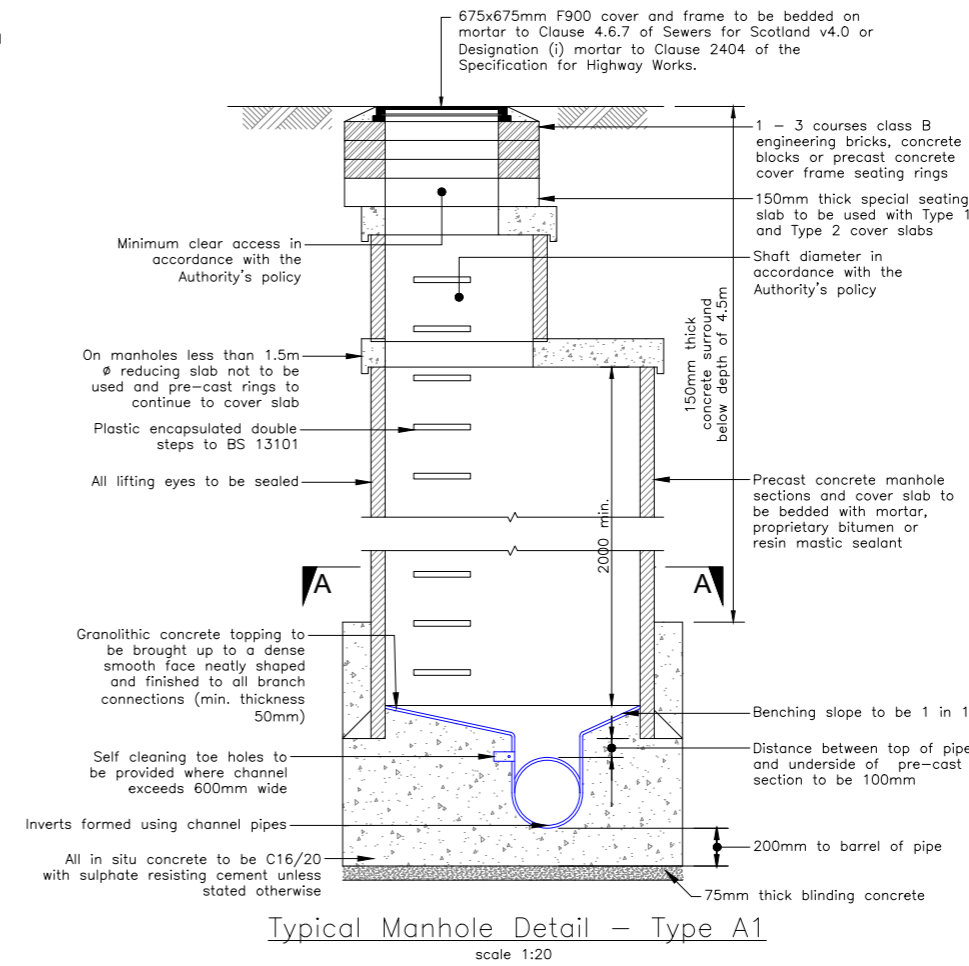
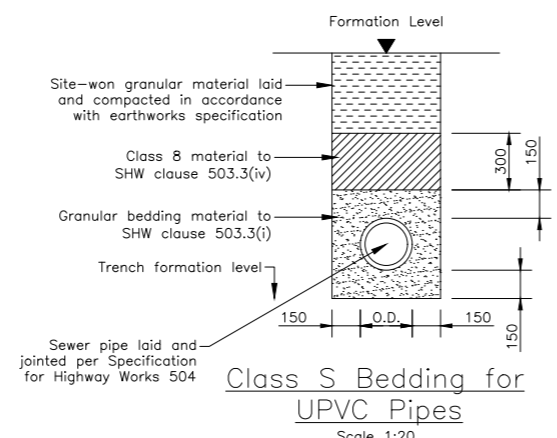
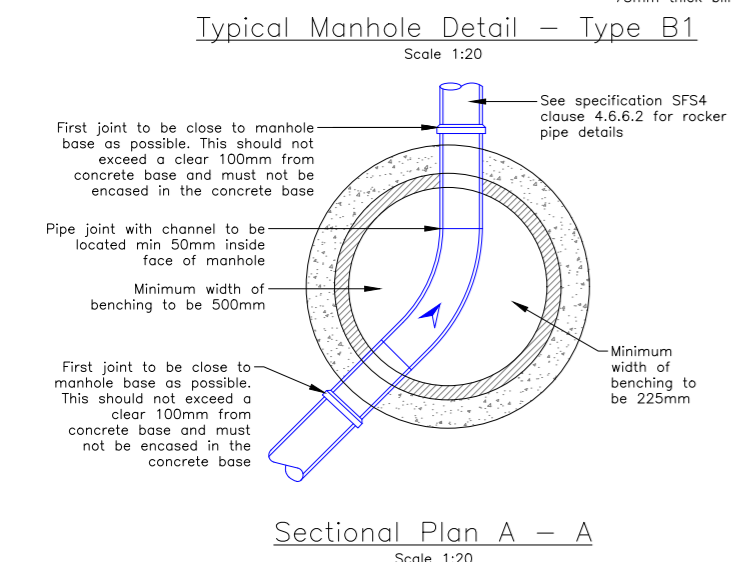
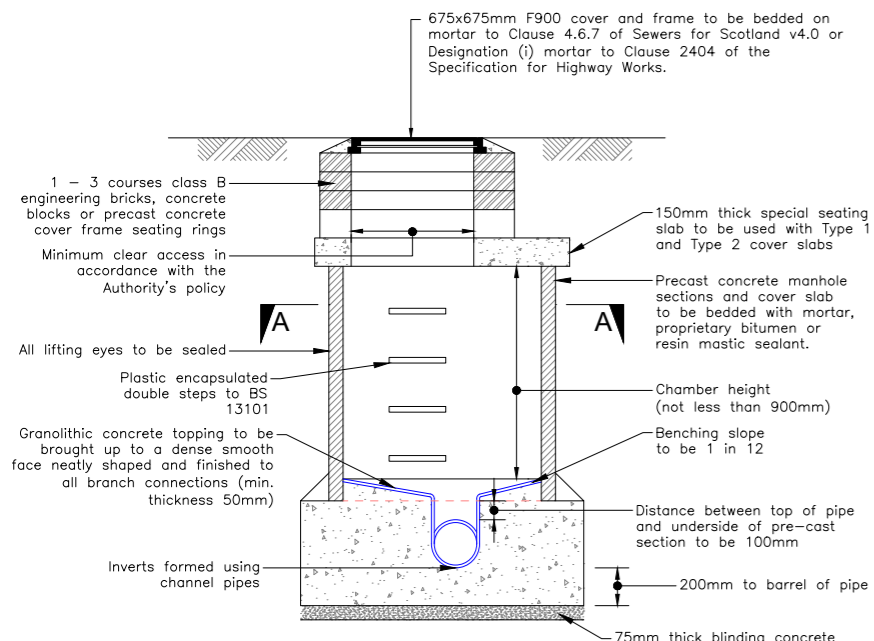
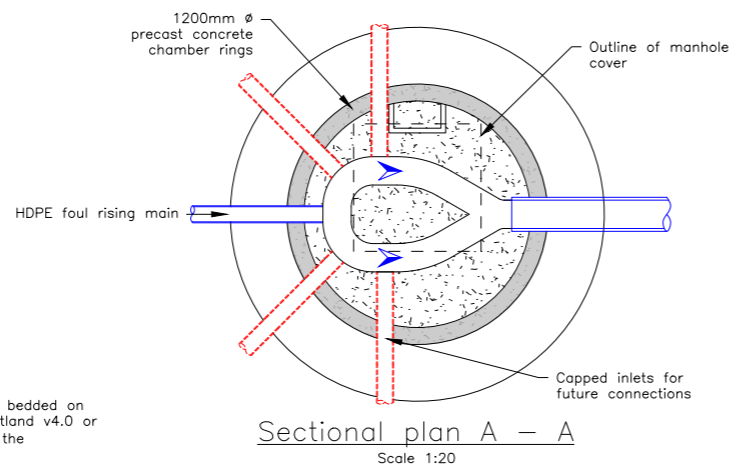
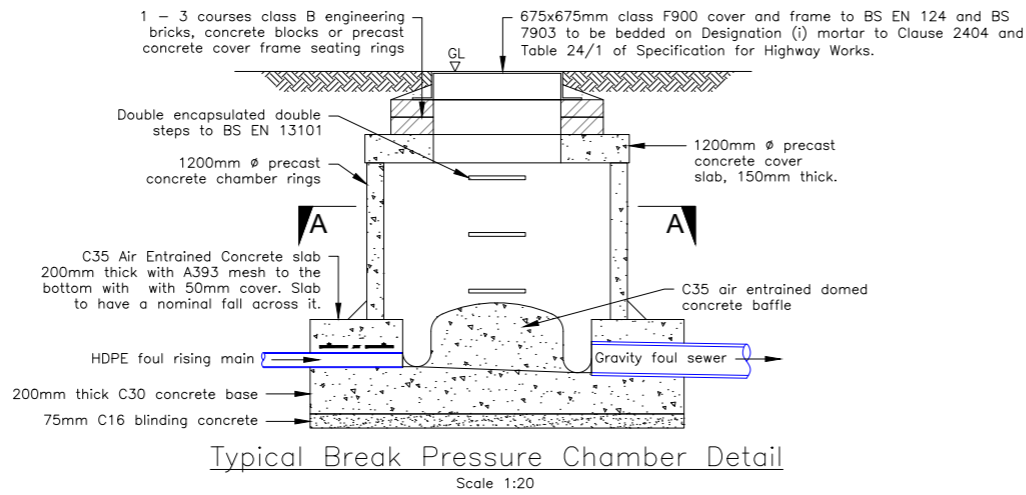
Foul Water Drainage Legend:

- Proposed Foul Water Rising Main
- Space Allocated for Future Rising Main Installation
- Proposed Foul Water Sewer

Indicative 90mm HPPE foul water rising main

Indicative 1490m² wetland. 2 no. existing culverts to remain.

Rev.	Date	Description	Drawn	Checked	Appd.
Barnby House Stonefield Business Park WYBESS W2 7PA Tel: 01463 724 544					
Project Title: Ardersier Port Redevelopment Phase 2					
Drawing Title: Yard Area Drainage Strategy Gorse and Wooded Area					
Scale of A3: 1:2500		Status: Concept		Approved: [Signature]	
Drawn: LB		Checked: [Signature]		Date: 29.07.2025	
Drawing No.: APP2-FHT-DR-YAR-SK-C-002000					
Revision: 01					



Manhole Diameters	
Diameter of Largest Pipe in Manhole (mm)	Internal Diameter of Manhole (mm)
Less than 375	1200
375-450	1350
450-700	1500
750-1050	1800
1125-1500	2100
>1500	Consult Scottish Water

Do not scale from this drawing.

SAFETY HEALTH AND ENVIRONMENTAL INFORMATION

IN ADDITION TO THE HAZARD/RISKS NORMALLY ASSOCIATED WITH THE TYPES OF WORK DETAILED ON THIS DRAWING, NOTE THE FOLLOWING RISKS AND INFORMATION.

RISKS LISTED HERE ARE NOT EXHAUSTIVE. REFER TO DESIGN ASSESSMENT FORM APP2-FHT-XX-YAR-HS-C-000001.

CONSTRUCTION:
SOIL CONTAMINATION
EXISTING SERVICES
EXCAVATIONS
SEWAGE

DEMOLITION:
NONE THAT WOULD NOT BE APPARENT TO A COMPETENT CONTRACTOR

IT IS ASSUMED THAT ALL WORKS WILL BE CARRIED OUT BY A COMPETENT CONTRACTOR WORKING, WHERE APPROPRIATE, TO AN APPROVED METHOD STATEMENT.

Notes:

- Do not scale from this drawing, only written dimensions are to be used.
- All dimensions in this drawing are in millimetres, unless noted otherwise.
- This drawing is to be read in conjunction with all architectural and engineering drawings, details and specifications. Refer to drawing APP2-FHT-RD-YAR-DR-C-002051 for Typical Drainage Construction Details Sheet 2. Refer to drawing APP2-FHT-DR-YAR-DR-C-002001 for the Surface Water Drainage Layout and drawing APP2-FHT-DR-YAR-DR-C-002100 for the Foul Drainage Layout.
- Any discrepancies should be reported to the engineer immediately so clarification can be sought.
- For clarity this drawing should only be printed and read in colour.
- All manholes to be constructed in all Specifications for Highway Works.

03	11.08.25	Catchpit details removed.	LB	AH	AKF
02	18.07.25	Capped inlets added to Break Pressure Chamber detail. Type 3 manhole detail removed. Bedding detail added from drawing APP2-FHT-DR-YAR-DR-C-002051	LB	AH	AKF
01	06.08.25	Drainage details updated. D400 cover specification updated to F900	LB	AH	AKF

Rev.	Date	Description	Drawn	Chkd.	Appd.

FAIRHURST Client:

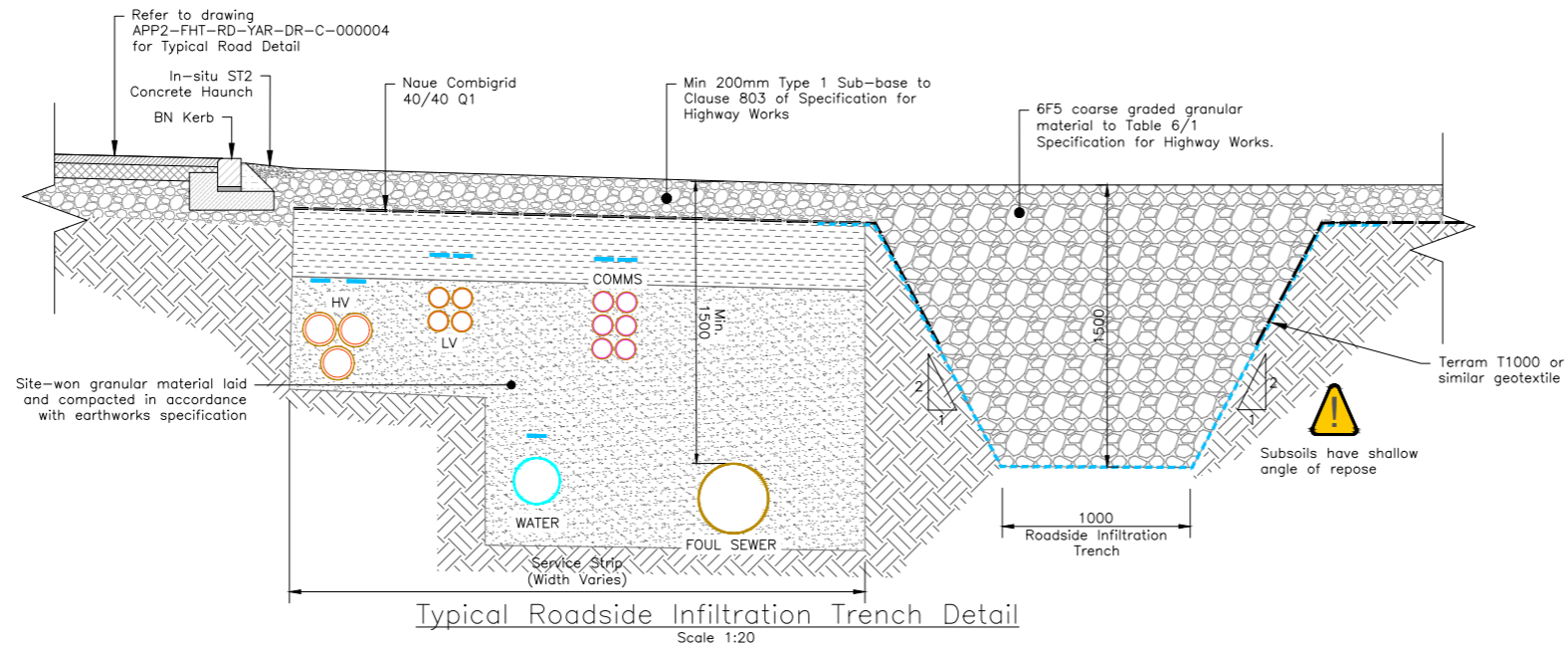
Barony House
Stoneyfield Business Park
WIRRESS
M2 7PA
Tel: 01463 724 544

Haventus

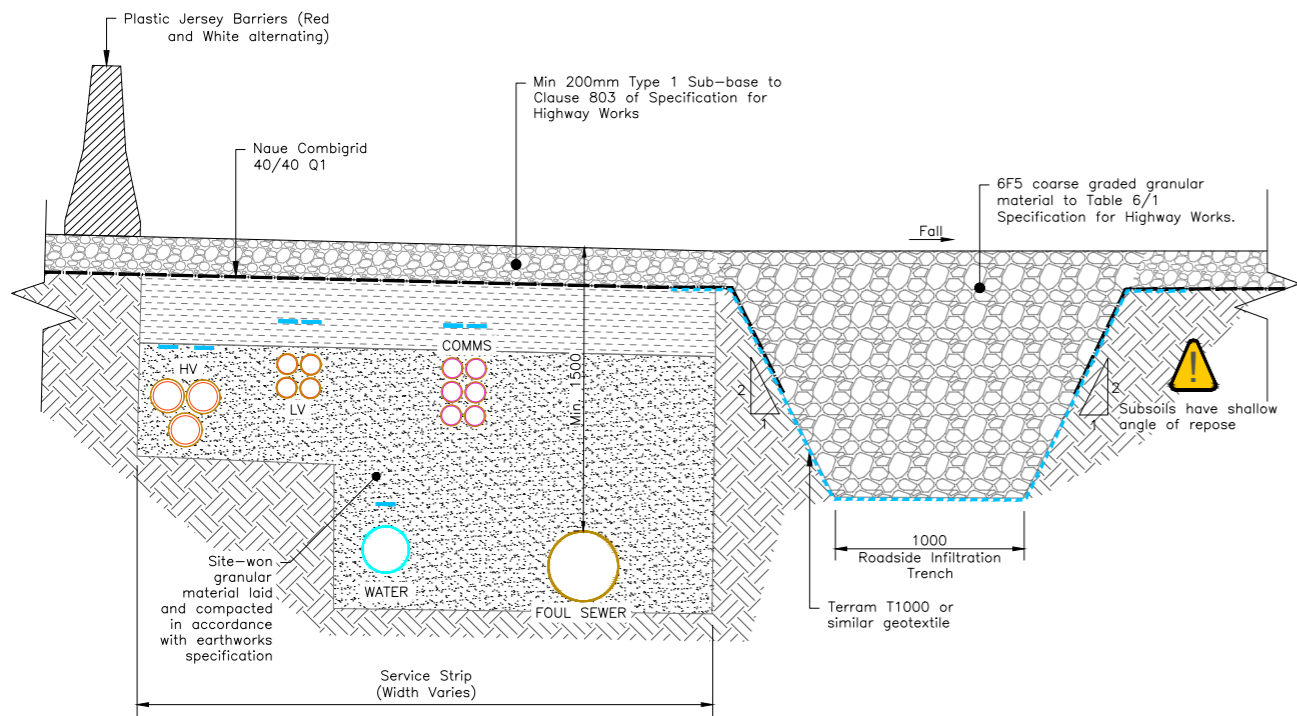
Project Title:
Ardersier Port Redevelopment
Phase 2

Drawing Title:
Typical Drainage Construction Details
Sheet 1 of 2

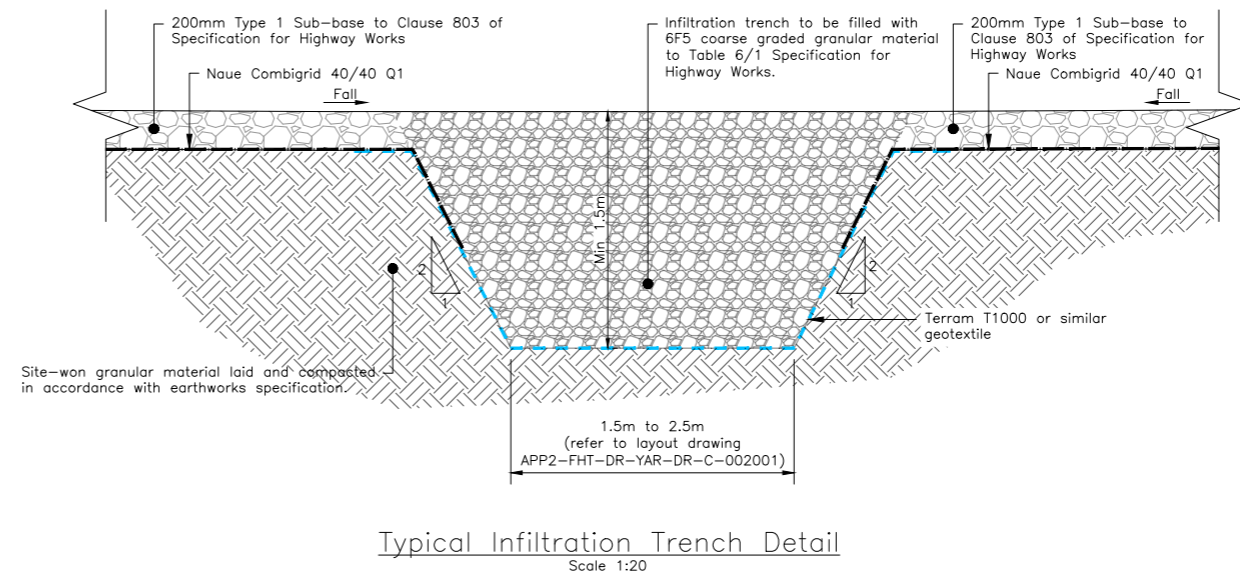
Scale at A1: As shown	Status: Concept	Approved:
Drawn: LB	Checked: AH	AKF
Date: 08.05.2025	Date: 27.05.2025	Date: 29.05.2025
Drawing No.:	APP2-FHT-DR-YAR-DR-C-002050	Revision: 03



Typical Roadside Infiltration Trench Detail
Scale 1:20



Typical Roadside Infiltration Trench Detail
Scale 1:20



Typical Infiltration Trench Detail
Scale 1:20

Do not scale from this drawing.

SAFETY HEALTH AND ENVIRONMENTAL INFORMATION

IN ADDITION TO THE HAZARD/RISKS NORMALLY ASSOCIATED WITH THE TYPES OF WORK DETAILED ON THIS DRAWING, NOTE THE FOLLOWING RISKS AND INFORMATION.

RISKS LISTED HERE ARE NOT EXHAUSTIVE. REFER TO DESIGN ASSESSMENT FORM APP2-FHT-XX-YAR-HS-C-000001.

CONSTRUCTION:
SOIL CONTAMINATION
EXISTING SERVICES
EXCAVATIONS
SEWAGE

DEMOLITION:
NONE THAT WOULD NOT BE APPARENT TO A COMPETENT CONTRACTOR

IT IS ASSUMED THAT ALL WORKS WILL BE CARRIED OUT BY A COMPETENT CONTRACTOR WORKING, WHERE APPROPRIATE, TO AN APPROVED METHOD STATEMENT.

- Notes:
1. Do not scale from this drawing, only written dimensions are to be used.
 2. All dimensions in this drawing are in millimetres, unless noted otherwise.
 3. This drawing is to be read in conjunction with all architectural and engineering drawings, details and specifications.
 4. Any discrepancies should be reported to the engineer immediately so clarification can be sought.
 5. For clarity this drawing should only be printed and read in colour.
 6. All manhole to be constructed in all Specifications for Highway Works.
 7. Refer to Fairhurst drawing APP2-FHTRD-YAR-DR-C-002050 for Sheet 1 of Typical Drainage Construction Details.
 8. Refer to Fairhurst drawing APP2-FHT-DR-YAR-DR-C-002001 for Surface Water Drainage Layout Plan.
 9. Refer to Fairhurst drawing APP2-FHT-DR-YAR-DR-C-002100 for Foul Drainage Layout Plan.

Rev.	Date	Description	Drawn	Chkd.	Appd.
03	13.08.25	Car Park Filter Drain and Soakaway details removed.	LB	AH	AKF
02	18.07.25	Combigrid notes added. Service strip details updated. Soakaway annotation added. Typical infiltration trench detail added. Bedding detail moved to drawing APP2-FHT-DR-YAR-DR-C-002050	HF	AH	AKF
01	13.06.25	Roadside filter drain and concrete slab pipe protection details removed. Service strip added to roadside infiltration trench detail.	GM	AH	AKF

FAIRHURST Client:

Barony House
Stoneyfield Business Park
WIDNESSE
W2 7PA
Tel: 01463 724 544

Haventus

Project Title:
Ardersier Port Redevelopment
Phase 2

Drawing Title:
Typical Drainage Construction Details
Sheet 2 of 2

Scale at A1:	Status:	
As shown	Concept	
Drawn:	Checked:	Approved:
GM	AH	AKF
Date:	Date:	Date:
27/05/2025	28/05/2025	29/05/2025

Drawing No.: APP2-FHT-DR-YAR-DR-C-002051
Revision: 03